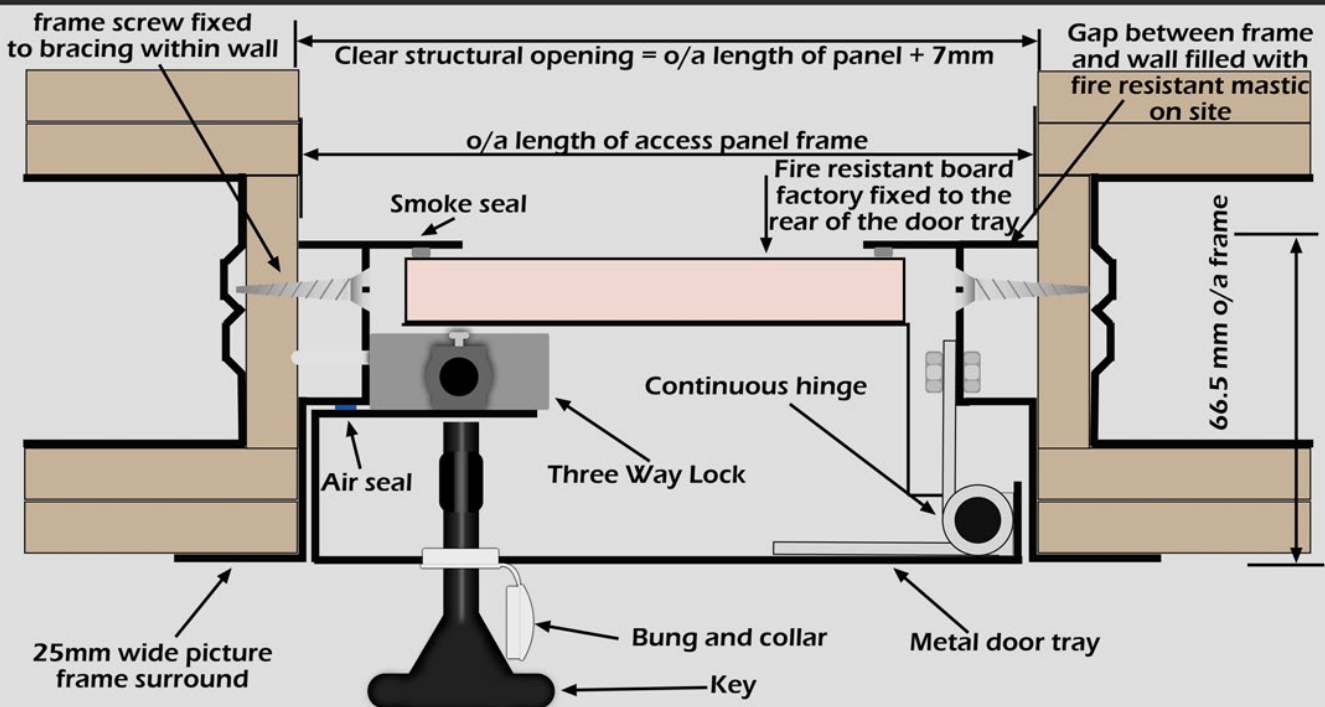


# WD/PF/FD/120

Designed to fit into any type of wall (or ceiling) system, allowing easy access into the cavity/void where regular maintenance to services is required to be carried out.

FOR  
WALL  
ONLY

<b>Lock Type</b>				 <b>Rated</b> <b>Fire Rating</b>	 <b>Non Rated</b> <b>Airtight</b>	 <b>Non Rated</b> <b>Acoustic</b>
						



## Description

A picture frame surround is provided, which enables the panel to be inserted directly into a pre-cut hole, and is screw fixed into position through the side of the panel frame. This is a 2 Hour Fire Rated Access Panel which has been tested to B.S.476: Part 22:1987. The panel also has an acoustic rating of 27dB.

## Construction

Constructed from 1.2mm and 1mm thick Zintec Steel, with a polyester powder coating of matt white Ral 9010, 20% Gloss (other colours available upon request). The panels are also available in Stainless Steel for use in corrosive areas (quote using product code and ref SS). The flush metal door is fitted with a continuous metal hinge, and is secured using a standard budget lock.

## Dimensions

Standard stock sizes are available as shown below. Non-standard sizes can be manufactured to order within maximum and minimum dimensional constraints. For further information please contact our Technical Sales Department. Sizes shown are overall dimension to inside edge of frame: 300 x 300mm 450 x 450mm 600 x 600mm 900 x 600mm (hinged on long side) 1200 x 600mm (hinged on long side)

## Fitting

The access panel should be screw fixed through the side of the panel frame, and will require independent bracing and support which is sufficient to secure and also allow safe opening of the access panel within the wall/ceiling system. When installing the access panel, the actual size of structural opening in the wall/ceiling needs to be +5mm greater than the overall panel dimension e.g. structural opening for 600mm x 600mm will be 605mm x 605mm.

Tel: +44 (0)24 7635 2771 Fax: +44 (0)24 7635 2761

E-mail: sales@exitile.com

www.exitile.com

