

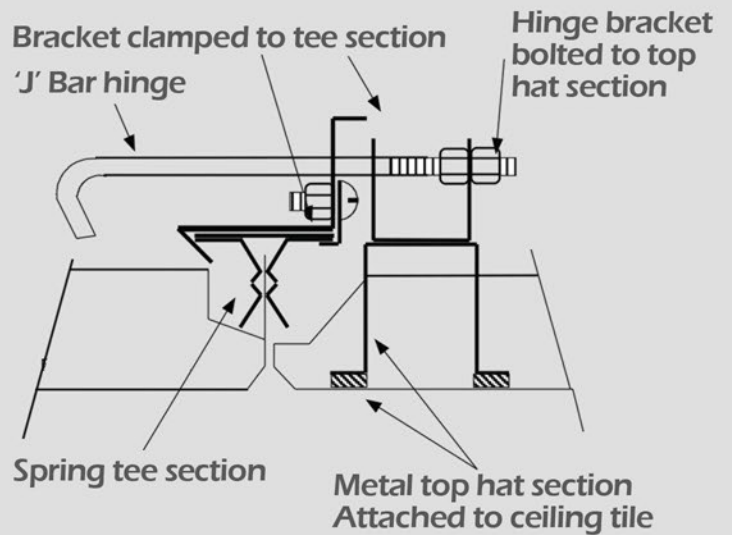
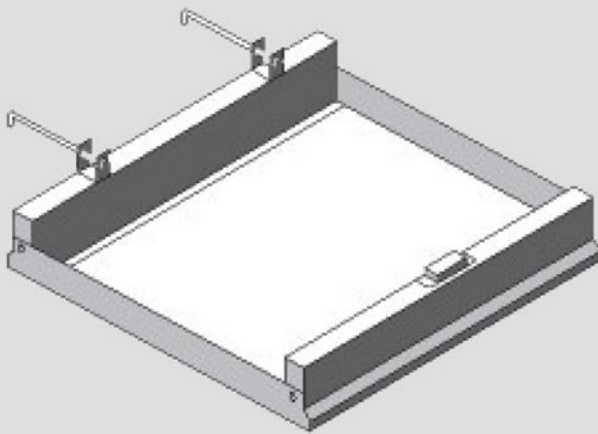
Picture
Frame

TC

Designed for use in suspended ceilings that consist of a clip-in metal tile and spring tee system.

FOR
CEILING
ONLY

Lock Type					Non Rated Fire Rating	Non Rated Airtight	Non Rated Acoustic
	Budget	Suited	Tamper	5mm Bit			



Construction

Constructed by converting Burgess, Armstrong or other metal pan ceiling tiles into a hinged access unit, and is secured using a budget lock. Other locks are available upon request. The panel door uses the back of the spring tee section as an anchor to support the hinge system. This panel can support more than one tile. For multi-tiled panels it is advisable to contact our technical department.

Fitting

The slotted hinge brackets are designed to clamp loosely onto the top of the spring tee section on the side to be hinged. Correctly align the panel in the ceiling aperture, then tighten the hinge brackets. When closing the access panel use the budget lock key as a handle; swing the door upwards on the hook hinge as far as possible without touching the ceiling, then slide the door backwards toward the hinge side. The panel will then be in the correct position to be locked over the tee section.

Tel: +44 (0)24 7635 2771 Fax: +44 (0)24 7635 2761

E-mail: sales@exitile.com

www.exitile.com

exitile